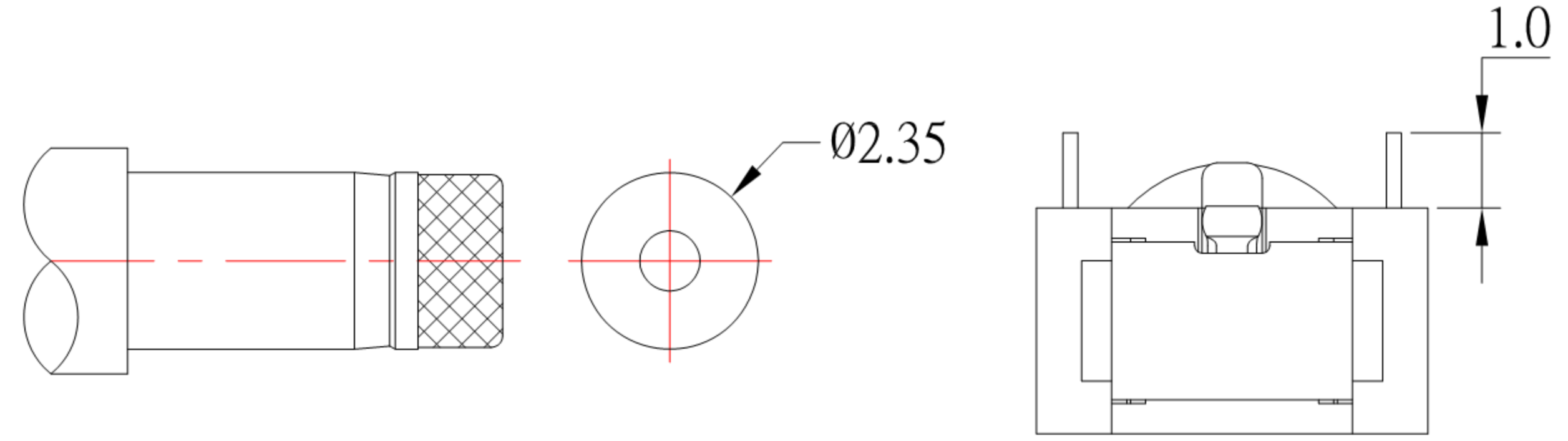
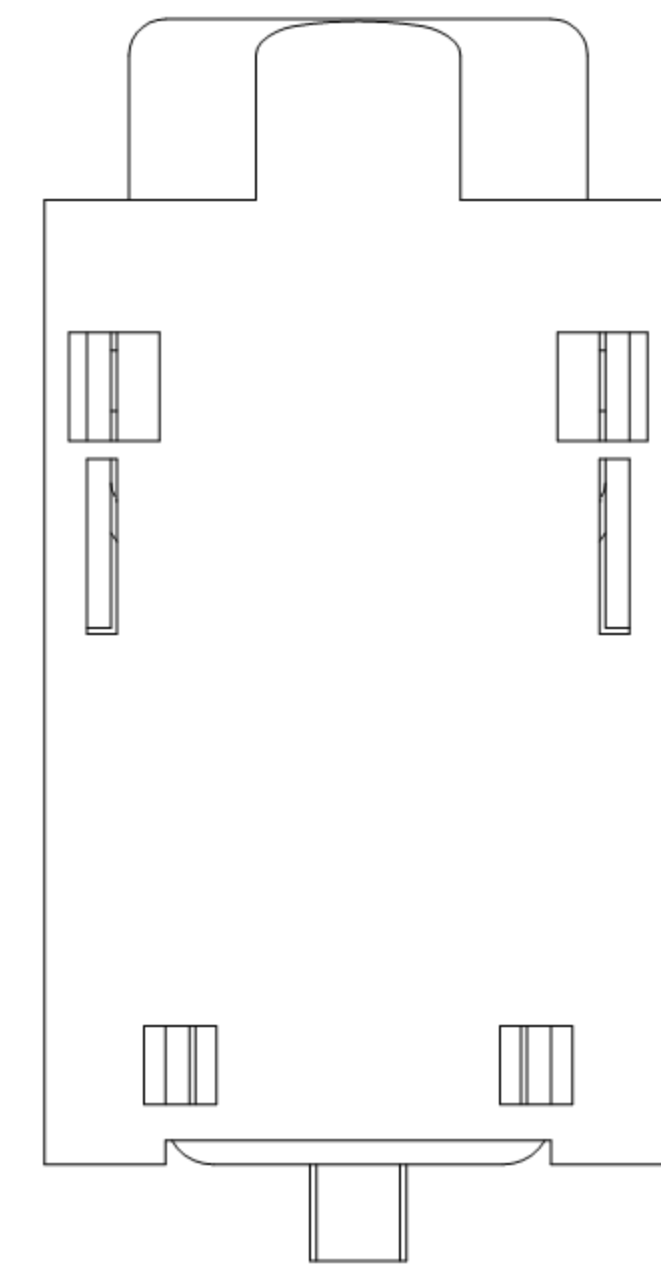
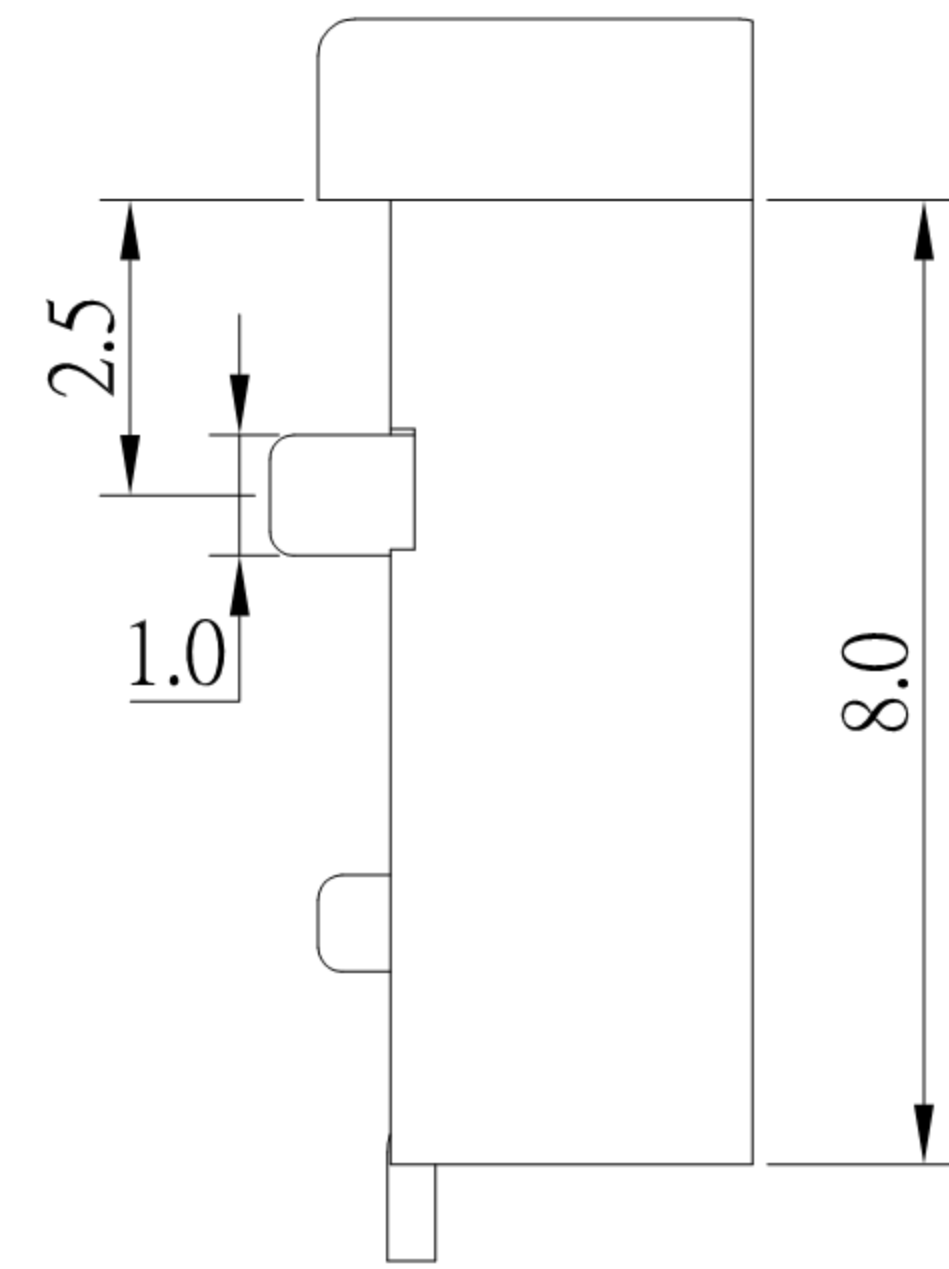
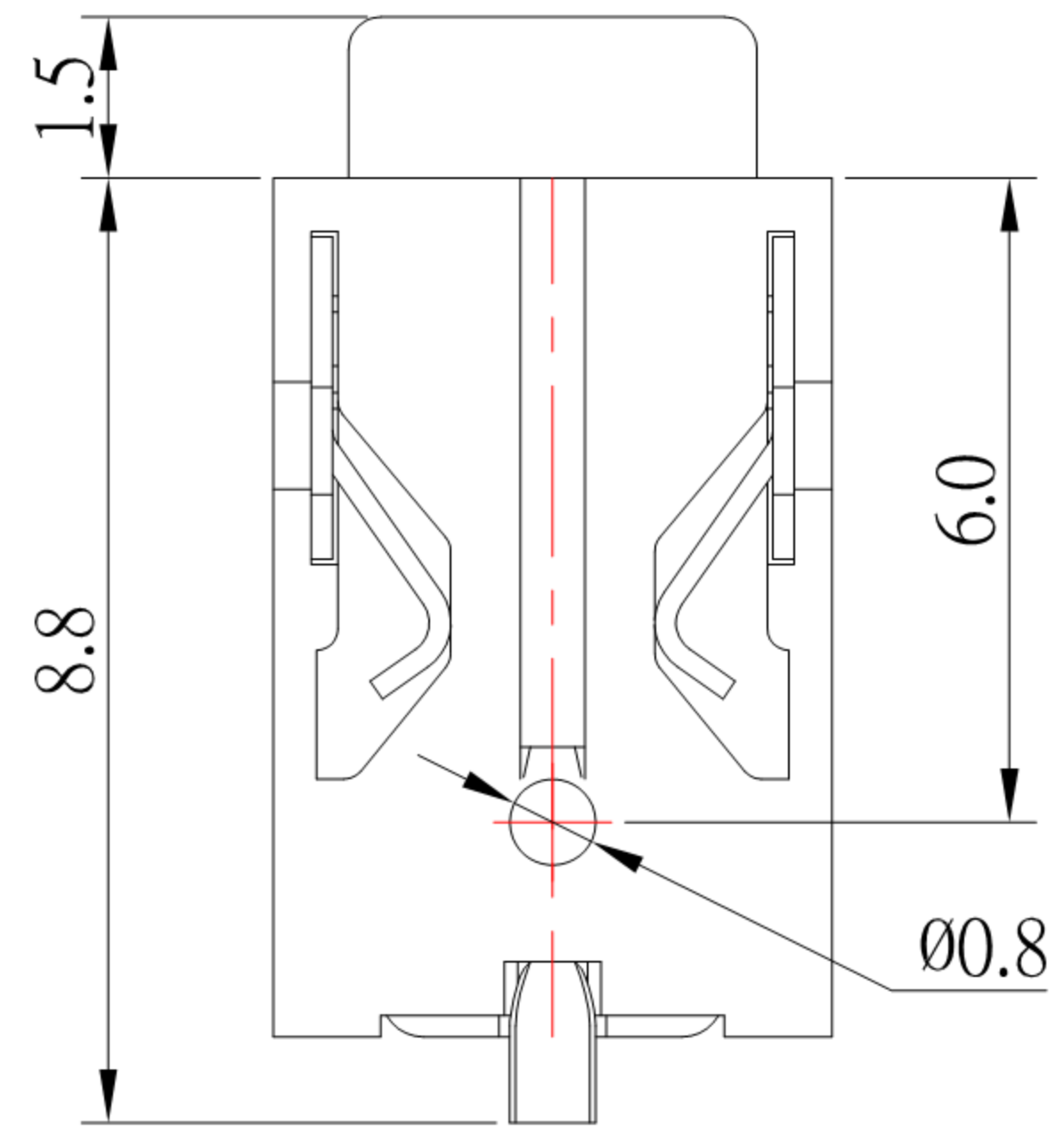
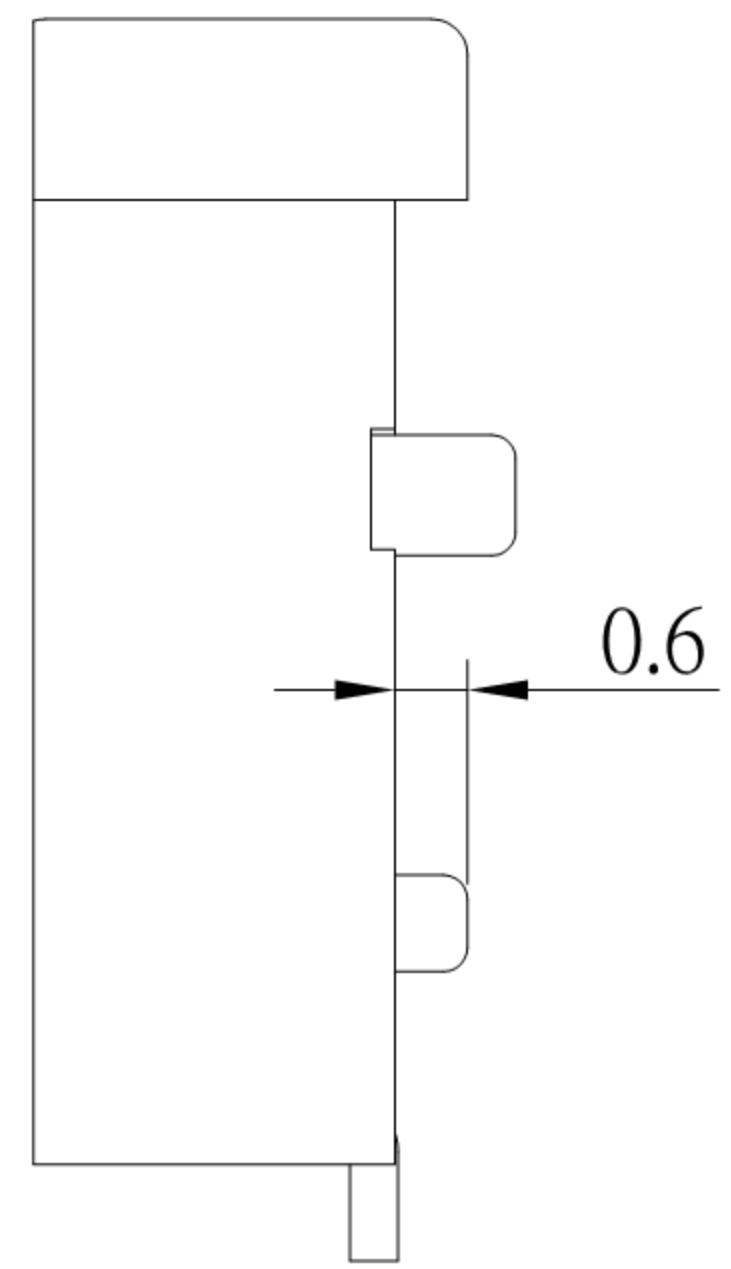


P.C.B LAYOUT
TOP VIEW

SPECIFICATION

1. Rating : DC 30V 0.5A ;
2. Contact resistance : $\leq 30m\Omega$;
3. Insulation resistance : $\geq 100M\Omega$;
4. Withstand voltage : 500VAC ;
5. Insertion and extraction force : 2-20N;
6. life test : 5,000 cycles °



DC MATE PLUG

NO.	DESCRIPTION	QTY	MATERIAL	PLATING
5	CONTACT FOOT	1	BRASS	Ag-Plating
4	SPRING	1	PHOSPHOR BRONZE	Ag-Plating
3	SPRING	1	PHOSPHOR BRONZE	Ag-Plating
2	PIN	1	BRASS	Ag-Plating
1	HOUSING	1	PPA	

东莞市高迪电子有限公司
Dong Guan KDRR Electronic Switch Jack Co., Ltd.

TOLERANCE UNLESS OTHERWISE STATED :
 Up to 5 ±0.2
 Above 5 ~ 15 ±0.3
 Above 15 ~ 30 ±0.4
 Above 30 ~ 50 ±0.5
 Angle ±0.3°

3RD. ANGEL'S

UNITS MM

DRAWN BY:	DATE	MAT'L	TITLE	JACK
Jack Lu	03/27/17		MODLE	DC JACK
CHECKED BY:	DATE	FINISH	DWG NO.	DC-064D-3-S124
Jacky Chen	03/27/17		PART NO.	DC-064D-3-S124
APPROVED BY:	DATE	SCALE	1 : 1	
Tony Kao	03/27/17	SHEET NO.	1 of 1	

ITEM NO.	DESCRIPTION	DRAWN	DATE
1	更新PCB LAYOUT尺寸及更新為A0版	Jack	032717